

Lichtlauf

## product description

Design Christoph Matthias 2012

Plastics, ceramics, aluminium. An ordinary, unusual lamp.  
for mounting on ceiling or wall in the vicinity (approx. 1 m) of a power outlet.  
Light source halogen 230/125 V max. 70 W. Lampholder E 27 ceramic.

Diameter: 30 cm, 40 cm or 50 cm.

## enclosed

hollow plastic sphere  
E-assembly  
canopy  
lustre terminal  
hanger bolt  
wire rope  
ceiling bracket  
wing nut  
washer

## technical data

230V ~ 50Hz  
1x max. 70W, E27



Type:  
Indoor light IP20

This luminaire is suitable for illuminants of  
the energy classes: E - A++

## safety note

Follow always the hints of this instruction for a safe assembly and use of these lights. Keep the assembly instruction for further questions.

The assembly and the electric supply must be done by an electric professional. Local installation regulations have to be respected.

The manufacturer accepts no liability for any damage due to improper use of the luminaire.

**Attention! Before working on the luminaire disconnect it from the mains. Also for cleaning, maintenance and lamp change.**

Luminaires are only allowed to be used for the specified purpose. Interior lights may not be used in outside area. Luminaires may not be covered.

They may not be connected to power supply still they are packaged.

Lights with electronic control gears (ECG) have to be operated with original ECGs.

The lamp change must be done by a competent professional.

Use only lamps with same type of construction, performance and voltage.

In case of damages, in particular of cable and socket, the luminaire have to be shut off immediately. In case of damage on the mains cable it has to be changed by the Lichtlauf GmbH.

For malfunction call authorized personnel for troubleshooting.

Never repair it by yourself.

Through improper repair work may arise risk for the user.

Elements of plug and connection shall be free from traction and torque.

## care instructions

Disconnect the device from the power supply grid before cleaning.

The care of the lamp is limited to the surfaces.

Make sure no liquid reach the connection area or electrical components.

**Important:**  
**Please don't use spiritus or alcohol containing products.**  
**As well as no abrasives or abrasive containing detergents.**

Only use a damp cloth to clean the lamp.

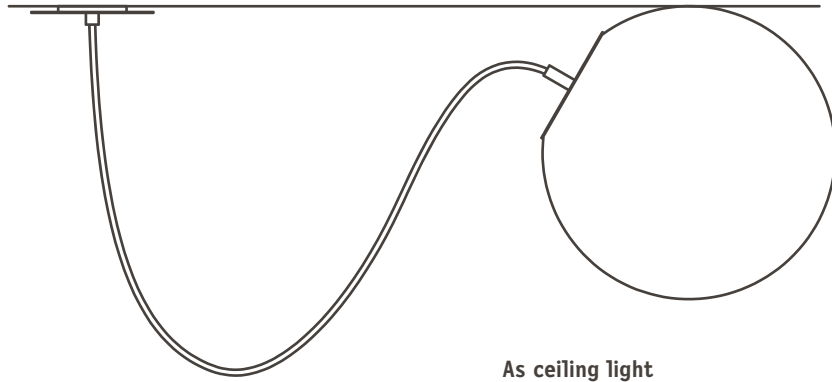
For heavy soiling we recommend a plastic cleaner.

## special notes

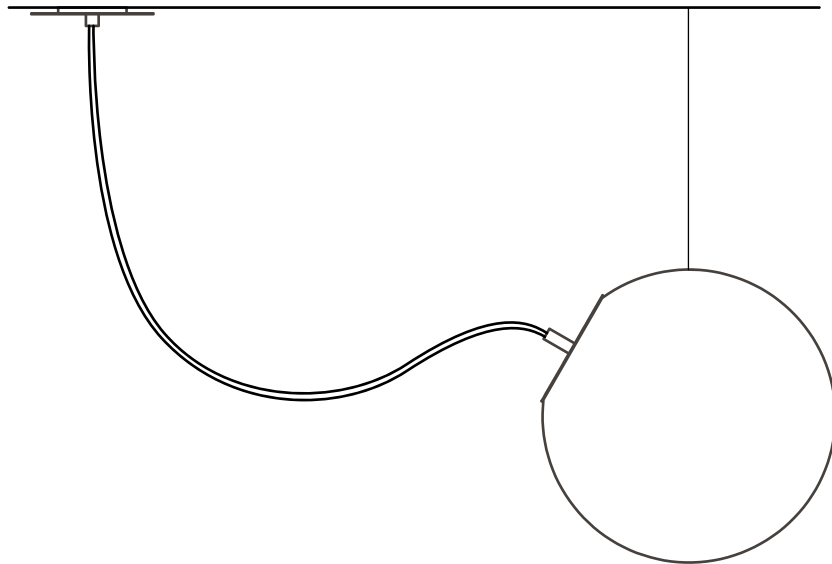
Keep plastic bags and small components away from children to avoid risks of suffocation or swallowing!

## mounting types

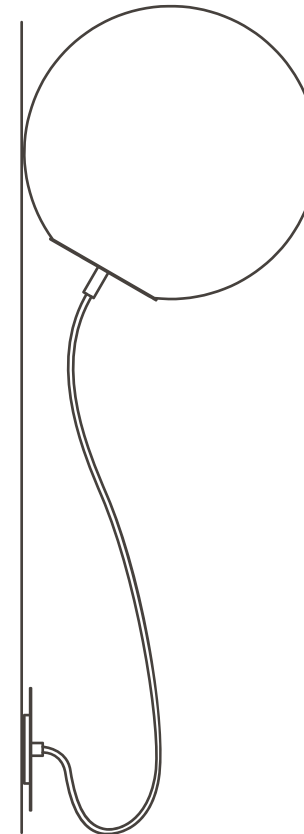
You have three options for mounting UpLight. Directly on the ceiling, as a ceiling light, suspended as a pendant light or on the wall as a wall light. The respective type of mounting is explained on the following pages.



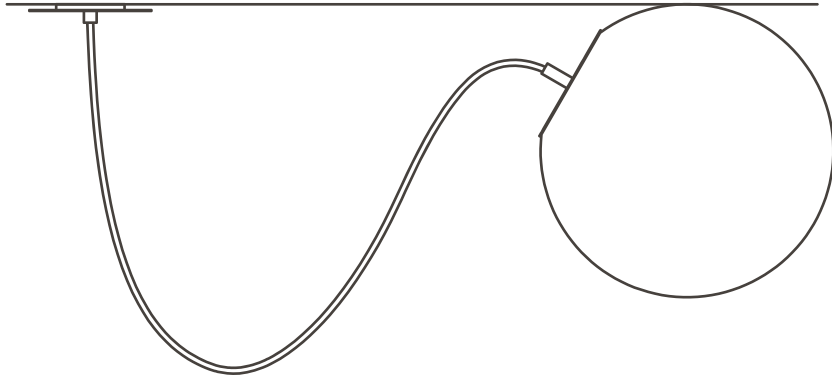
As ceiling light



As pendant light



As wall light



### As ceiling light

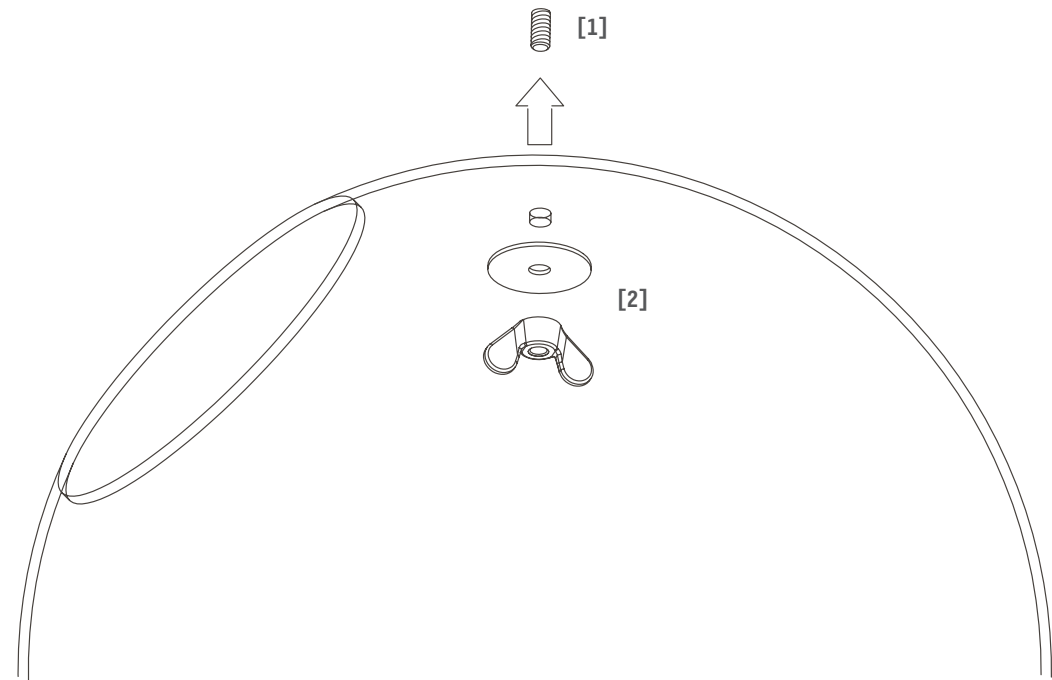
Use the hanger bolt and wing nut to suspend the lamp.

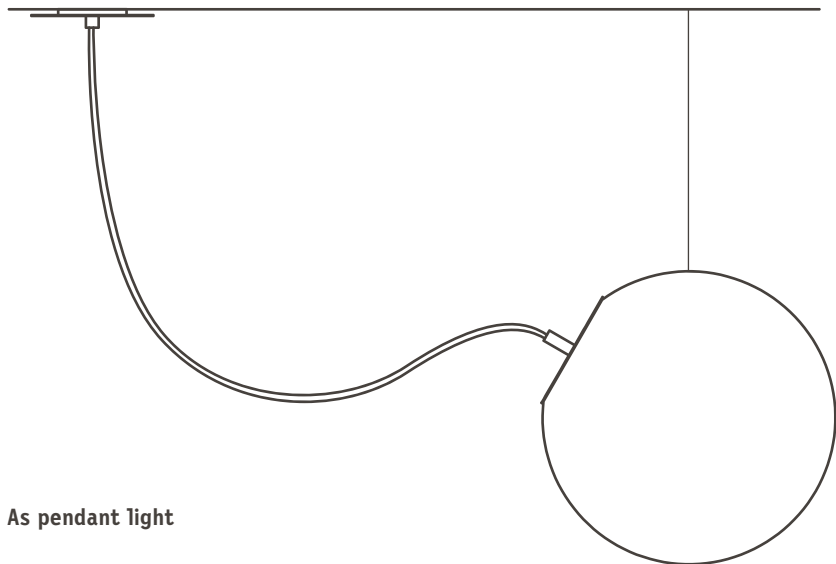
## Mounting the plastic ball

Define a point where UpLight is to be located later. Please note that the connection cable is within reach of the UpLight cable. The cable should fall loosely and must not be tensioned.

Once you have found the desired location, drill a hole to match the suitable dowel for your ceiling.  
Countersink the dowel in the drill hole and then screw in the enclosed hanger bolt up to the screw thread. [1]

Take the plastic hollow ball and put it on the screw that is looking out.  
Then fix the plastic hollow ball with the enclosed washer and wing nut. [2]





**As pendant light**

Use the wire rope holder and the wire rope to suspend the lamp.

**Mounting the plastic ball**

Define a point where UpLight is to be located later. Please note that the connection cable is within reach of the UpLight cable. The cable should fall loosely and must not be tensioned.

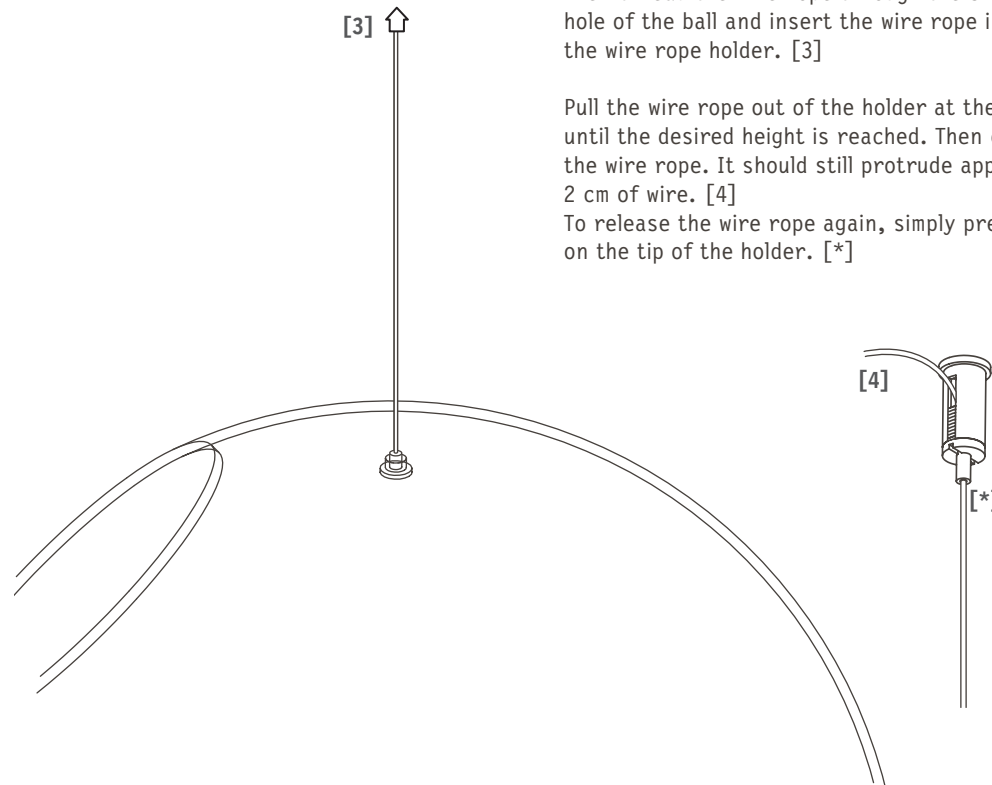
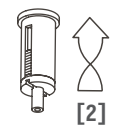
Once you have found the desired location, drill a hole to match the suitable dowel for your ceiling. Countersink the dowel in the drill hole and then screw in the enclosed hanger bolt up to the screw thread. [1]

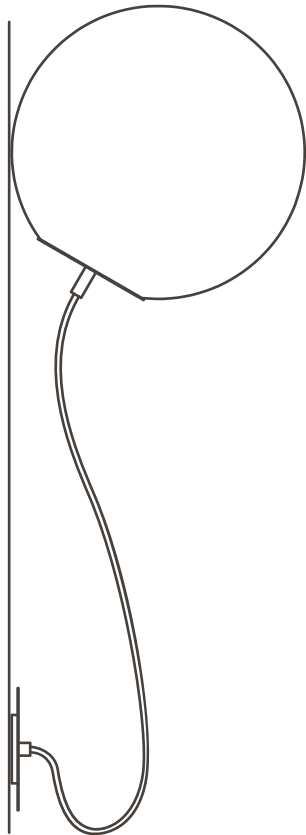
Take the wire rope holder and screw it onto the protruding thread. [2]

Then thread the wire rope through the small hole of the ball and insert the wire rope into the wire rope holder. [3]

Pull the wire rope out of the holder at the top until the desired height is reached. Then cut the wire rope. It should still protrude approx. 2 cm of wire. [4]

To release the wire rope again, simply press on the tip of the holder. [\*]





### As wall lamp

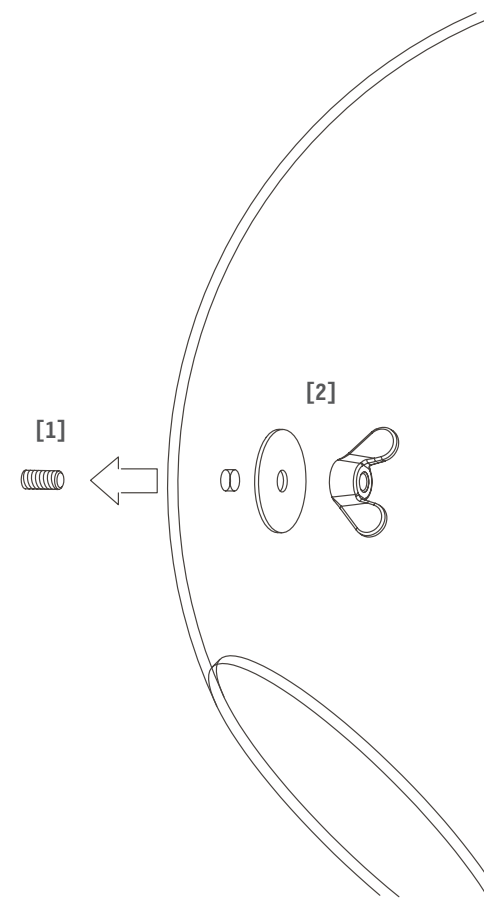
Use the hanger bolt, washer and wing nut to suspend the lamp.

### Mounting the plastic ball

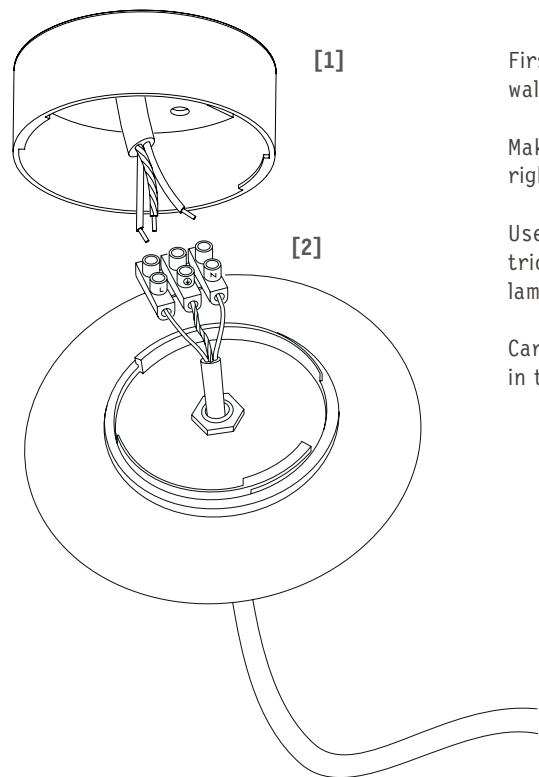
Define a point where UpLight is to be located later. Please note that the connection cable is within reach of the UpLight cable. The cable should fall loosely and must not be tensioned.

Once you have found the desired location, drill a hole to match the suitable dowel for your wall. Countersink the dowel in the drill hole and then screw in the enclosed hanger bolt up to the screw thread. [1]

Take the plastic hollow ball and put it on the screw that is looking out. Then fix the plastic hollow ball with the enclosed washer and wing nut. [2]



## connection



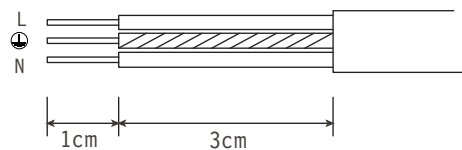
[1] First attach the canopy box to your ceiling/wall outlet or flush-mounted box.

Make sure that the canopy is threaded the right way round on the cable.

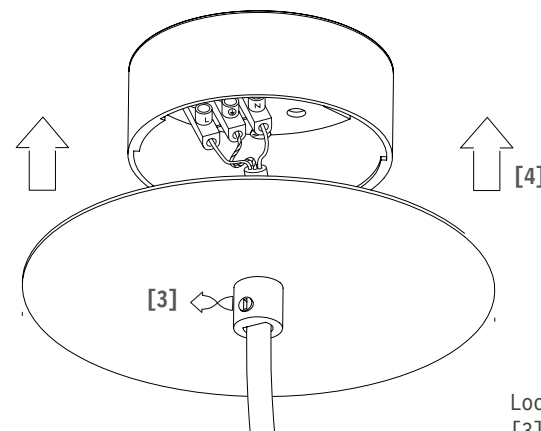
Use the luster terminal to connect the electrical cables to the matching cables of the lamp cable.

Carefully stow the cables and the connection in the flush-mounted box.

If necessary, shorten the luminaire cable and insulate the cables as shown in the figure.

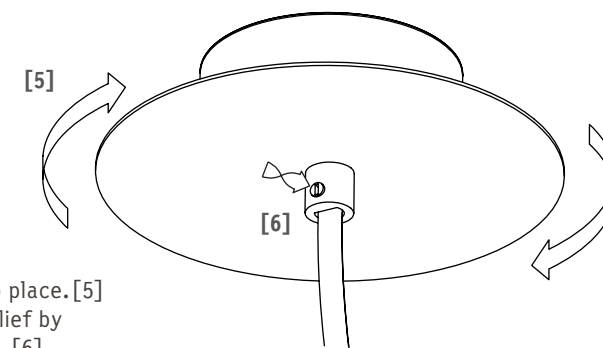


## Mounting the canopy



Loosen the grub from the strain relief truck.

[3] Guide the canopy upwards to the surface-mounted box. [4]



Turn the canopy until it clicks into place. [5]  
Then fix the cable to the strain relief by screwing in the plastic grub again. [6]



## Inserting the e-assembly

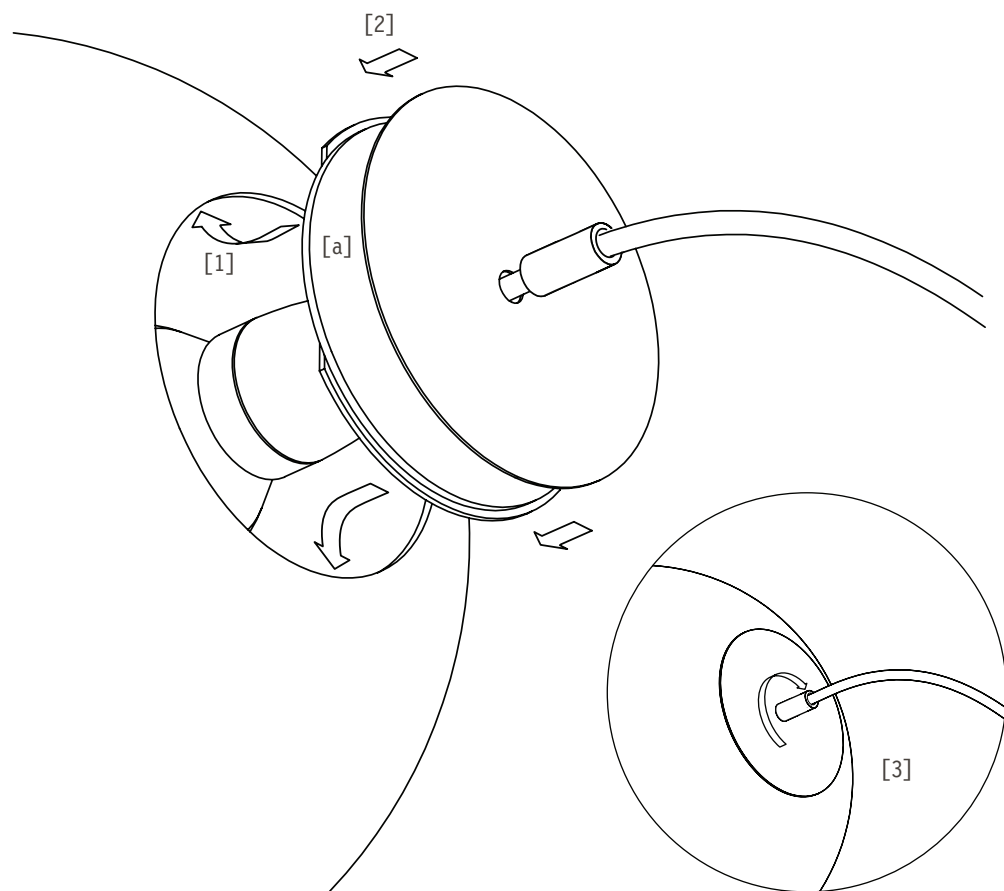
Take the e-assembly and thread it into the outlet of the ball. [1]

If necessary, loosen the sleeve and cover for easier handling.

Align the e-assembly so that the washer [a] is flush with the outlet of the ball.

To fix the whole thing, slide the cover back [2] and screw the sleeve onto the threaded pipe.

Tighten the sleeve until the e-assembly is firmly fixed to the ball and no longer slips. [3]



## illuminant replacement

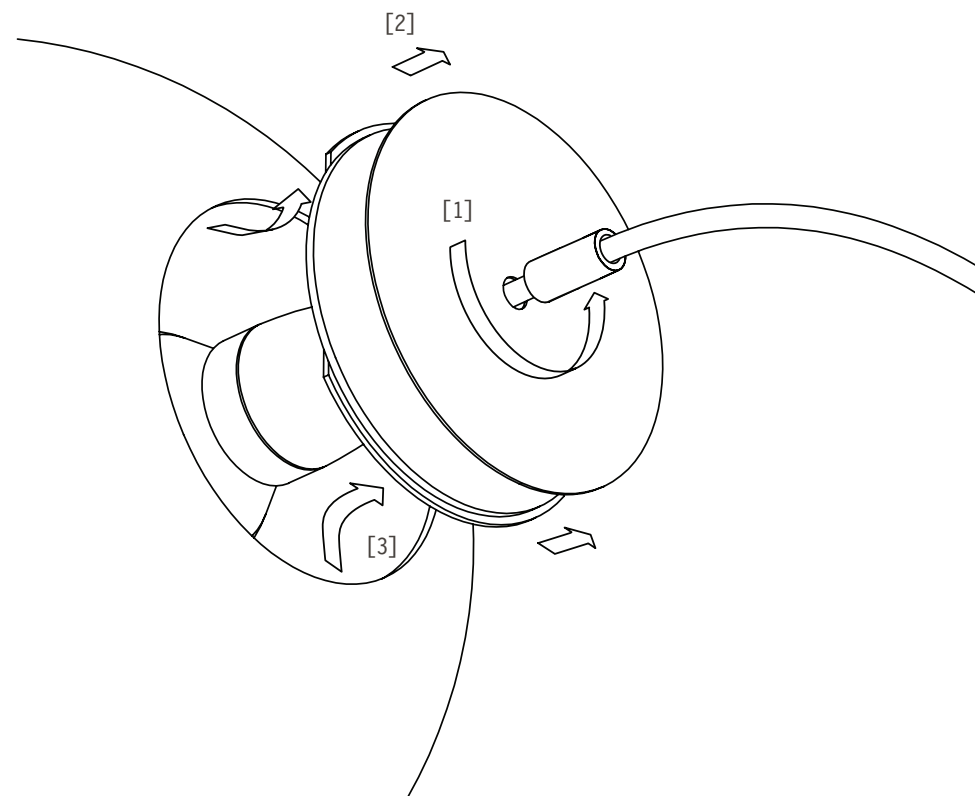
Make sure that the lamp is disconnected from the power supply.

Loosen the sleeve on the cover. [1]

Lift off the cover [2] and remove the E-assembly with the lamp. [3]

Replace the defective lamp with a new one of the same design.

Then re-insert the E-assembly and close the lamp with the cover and tighten the sleeve until the cover is firmly fixed.





**Lichtlauf GmbH**

Sonnentaustraße 12  
80995 München

T +49(0)89.30905274-0  
F +49(0)89.30905274-9

[info@lichtlauf.de](mailto:info@lichtlauf.de)  
[www.lichtlauf.de](http://www.lichtlauf.de)