

Lichtlauf

NormaJeane  
en

## product description

Design Christoph Matthias and Veit Redl 2015

Aluminium, leaf metallized or colour coated. A pendant luminaire like a cloth in the upwind. Powerful, soft light downwards.

Each luminaire is individually shaped, unique. Height adjustment on the wire rope.

Light source: LED approx. 12 W, light colour warm white

Dimensions: approx. 40 cm x 40 cm x 12 cm

Each lamp is unique.

Due to the handcrafted manufacturing process, irregularities may occur in the leaf-finished surface.

These are no product defects and therefore no cause for complaint.

## enclosed

NormaJeane

canopy with LED control gear

wire rope holder

ferrules

shrink tubing sections

## technical data

230 V ~ 50 Hz

1 x max. 12 W LED, max. 350 mA



Type:

Indoor light IP20

This luminaire contains built-in LED lamps.

Energy classes: A - A++

The lamp can only be replaced by the manufacturer.

## safety note

Follow always the hints of this instruction for a safe assembly and use of these lights.

Keep the assembly instruction for further questions.

The assembly and the electric supply must be done by an electric professional. Local installation regulations have to be respected.

The manufacturer accepts no liability for any damage due to improper use of the luminaire.

**Attention! Before working on the luminaire disconnect it from the mains.**

**Also for cleaning, maintenance and lamp change.**

Luminaires are only allowed to be used for the specified purpose. Interior lights may not be used in outside area. Luminaires may not be covered.

They may not be connected to power supply still they are packaged.

Lights with electronic control gears (ECG) have to be operated with original ECGs.

The lamp change must be done by a competent professional.

Use only lamps with same type of construction, performance and voltage.

In case of damages, in particular of cable and socket, the luminaire have to be shut off immediately. In case of damage on the mains cable it has to be changed by the Lichtlauf GmbH.

For malfunction call authorized personnel for troubleshooting.

Never repair it by yourself.

Through improper repair work may arise risk for the user.

Elements of plug and connection shall be free from traction and torque.

## care instructions

Disconnect the device from the power supply grid before cleaning.

The care of the lamp is limited to the surfaces.

Make sure no liquid reaches the connection area or electrical components.

**Important:**

**Please don't use spiritus or alcohol containing products.**

**As well as no abrasives or abrasive containing detergents.**

It is sufficient to clean the surface using a soft, dry cloth.

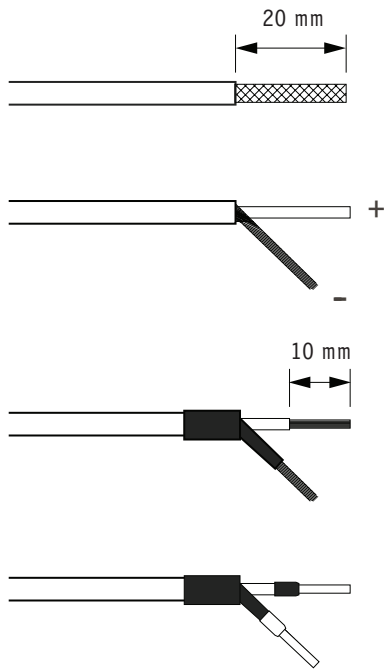
Do not use pressure while cleaning, otherwise you might cause damage on the gilded surface.

## special notes

Keep plastic bags and small components away from children to avoid risks of suffocation or swallowing!

**Do not look directly into the light source!  
(risk of glare or eye damage)**

Caution: Risk of injury due to sharp corners.



**Assembly of the light cable**

## preparation

Before you start mounting and connecting the luminaire, make sure that the cable is voltage-free.

It is best to remove the fuse.

1. Define the suspension height of the luminaire. Cut the luminaire cable to length with an addition of approx. 10 cm.

2. Assemble the luminaire cables according to the drawing.

Remove approximately 20 mm of the outer sheath. Please be careful! The coaxial braid must not be damaged.

Then twist the coaxial braid into a conductor (-).

Provide this with a piece of shrink tubing. Then a larger one over the place where the two conductors share.

Insulate both conductors by approx. 10 mm.

Finally squeeze the conductors with one ferrule each.

## Mounting on flush-mounted box

Pass the secondary line of the control gear through the opening [A].  
Connect the conductor (L) and neutral conductor (N) (marked on the luster terminal) of the control gear to the corresponding conductor of the ceiling outlet in the luster terminal in the flush-mounted box.

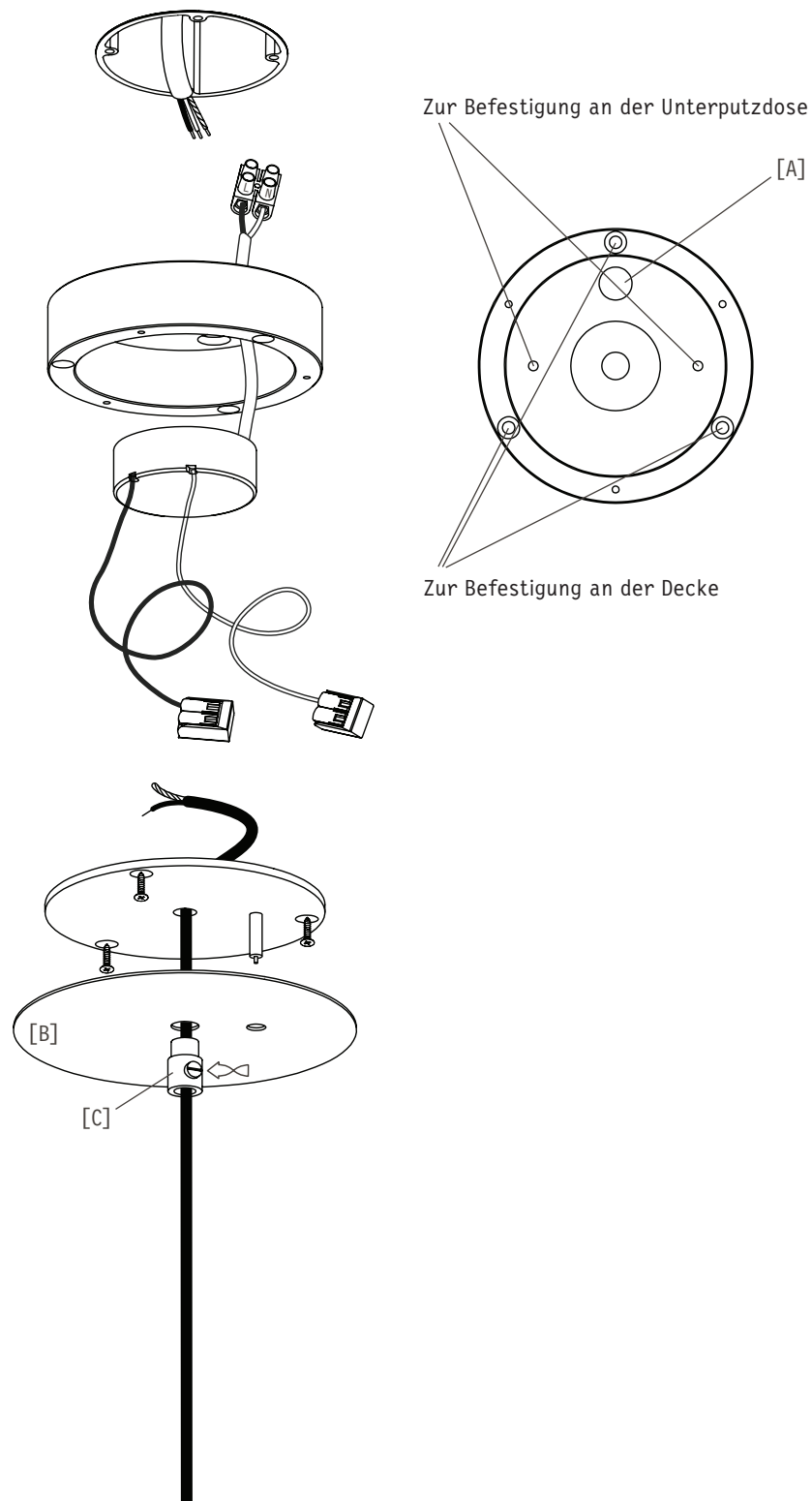
Fasten the canopy to the flush-mounted box using suitable screws.  
You can also fix the box to the ceiling if required. Use suitable screws for your ceiling.

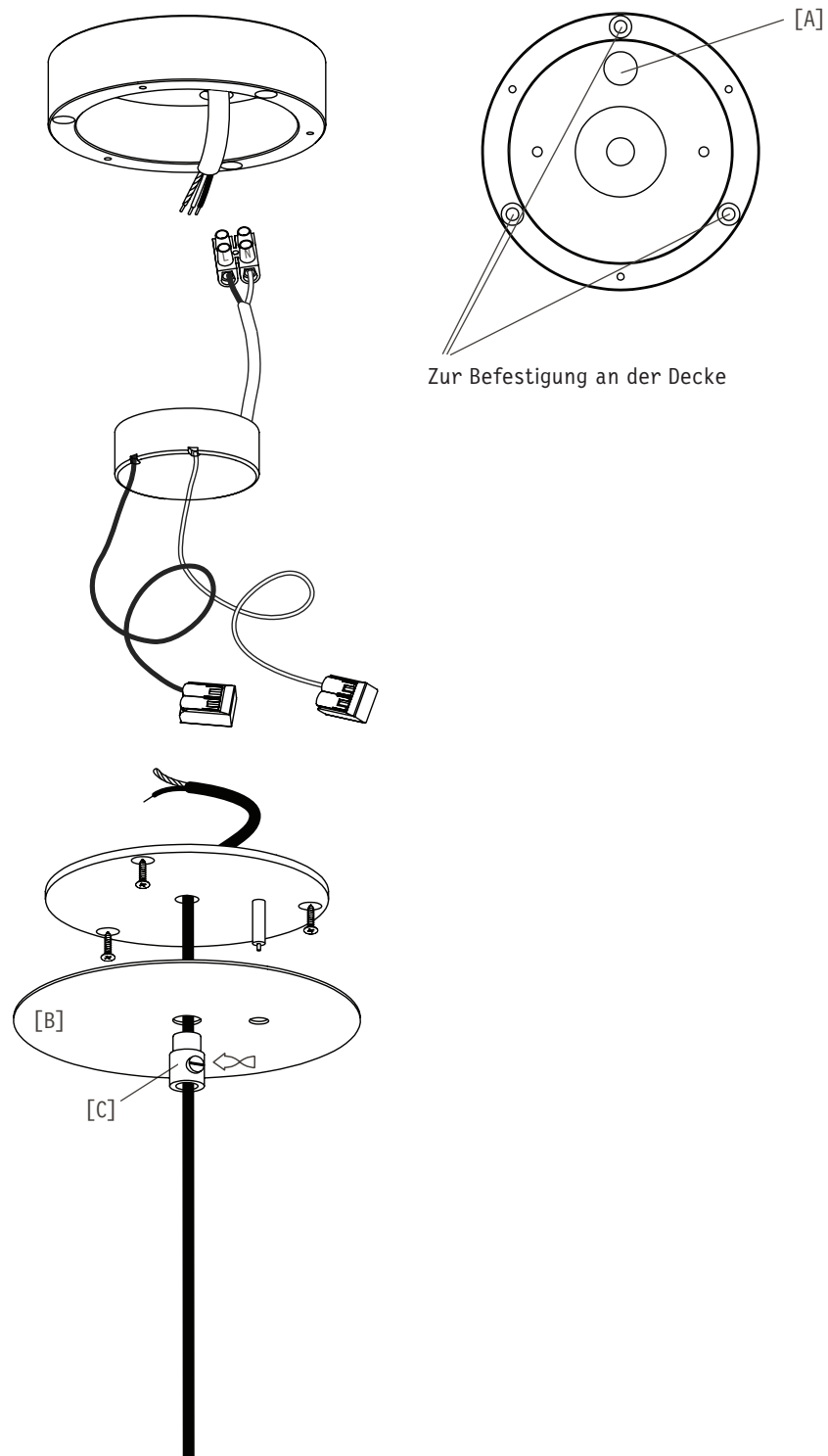
Connect (+) and (-) of the secondary line of the control gear with (+) red and (-) black of the luminaire cable to the connection terminals.

Close the canopy with the three screws provided.

Attach the cover plate [B] to the canopy by screwing in the cable securing device [C].

Secure the lamp cable against  
Slide out of the cable safety catch by screwing in the grub.





## Mounting without flush-mounted box

Pass the ceiling outlet through the opening [A] in the canopy box.  
Fasten it with three screws suitable for your ceiling.

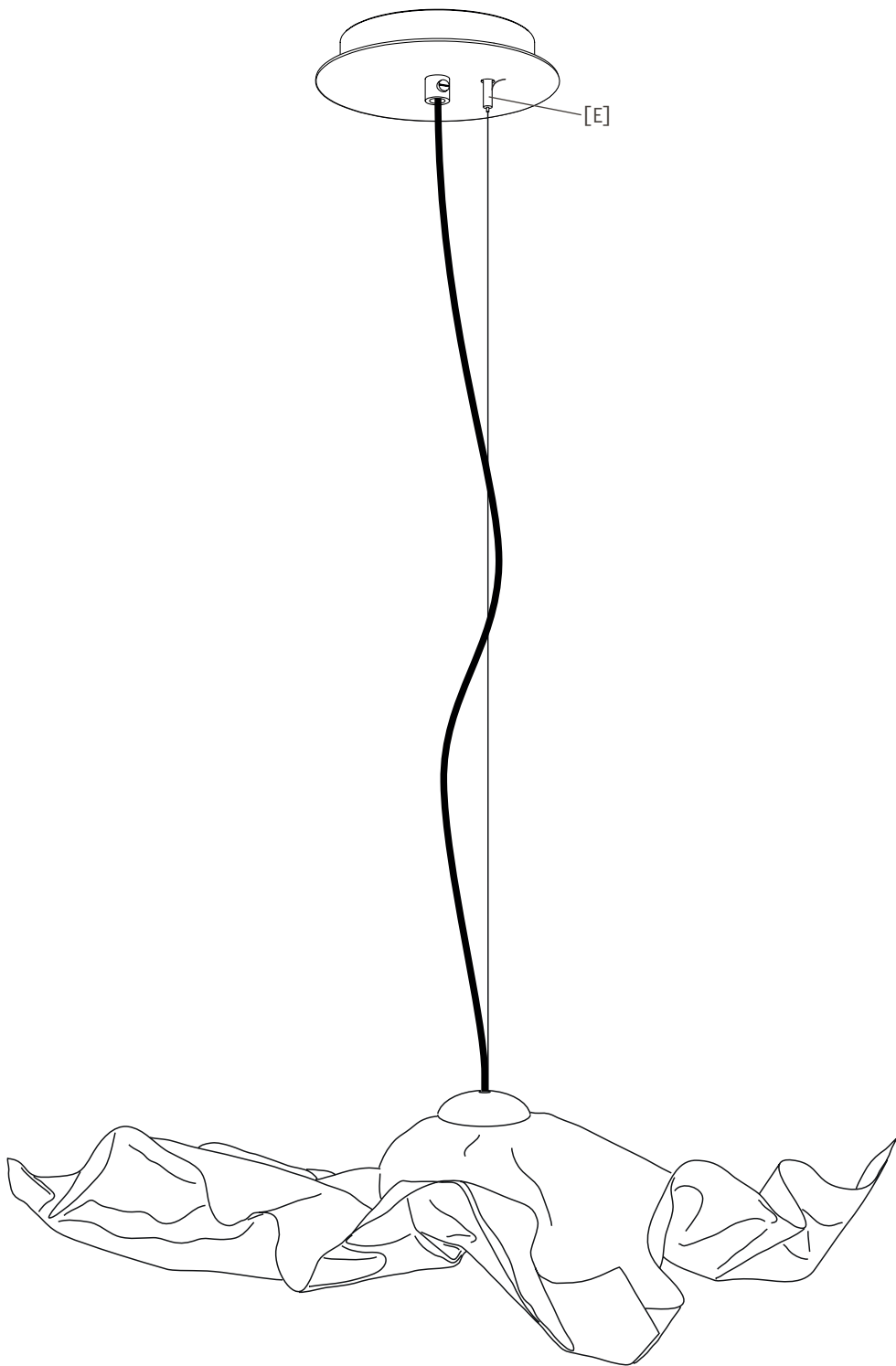
Connect the conductor (L) and neutral conductor (N) (marked on the luminaire terminal) of the control gear to the corresponding conductor of the ceiling outlet.

Connect (+) and (-) of the secondary line of the control gear with (+) red and (-) black of the luminaire cable to the connection terminals.

Close the canopy with the three screws provided.

Attach the cover plate [B] to the canopy by screwing in the cable securing device [C].

Secure the lamp cable against slipping out on the cable securing device by screwing in the grub.



Pass the wire rope through the wire rope holder [E].

Set the desired suspension height.

Excess wire rope can be cut off.  
Leave a rest of 5 cm.

**Lichtlauf GmbH**

Sonnentaustraße 12  
80995 München

T +49(0)89.30905274-0  
F +49(0)89.30905274-9

[info@lichtlauf.de](mailto:info@lichtlauf.de)  
[www.lichtlauf.de](http://www.lichtlauf.de)