

Lichtlauf

## product description

Design Team Lichtlauf 2016

Aluminium. Anodised. A filigree pendant luminaire for accentuated lighting of tables and worktops.

In addition to black and silver, many exciting anodised colours are possible. Mounting on ceiling outlet.

Light source LED approx. 8 W, light colour warm white, base GU 5.3

Dimensions:  $\varnothing$  5,5 x 11 cm

Cable transparent, pendant length max. 2 m

Beam angle 10°, incl. snap-on lens 36°

## enclosed

1 Piztone

1 canopy

1 LED control gear

1 illuminant

2 Wago clamps

1 terminal

## technical data

230V  $\sim$  50Hz sek. 12V

1 x SORAA LED approx. 8,5 W, GU 5.3



type:

Indoor light IP20

This luminaire is suitable for illuminants of the energy classes: E - A++

## safety note

Follow always the hints of this instruction for a safe assembly and use of these lights. Keep the assembly instruction for further questions.

The assembly and the electric supply must be done by an electric professional. Local installation regulations have to be respected.

The manufacturer accepts no liability for any damage due to improper use of the luminaire.

**Attention! Before working on the luminaire disconnect it from the mains. Also for cleaning, maintenance and lamp change.**

Luminaires are only allowed to be used for the specified purpose. Interior lights may not be used in outside area. Luminaires may not be covered.

They may not be connected to power supply still they are packaged.

Lights with electronic control gears (ECG) have to be operated with original ECGs.

The lamp change must be done by a competent professional.

Use only lamps with same type of construction, performance and voltage.

In case of damages, in particular of cable and socket, the luminaire have to be shut off immediately. In case of damage on the mains cable it has to be changed by the Lichtlauf GmbH.

For malfunction call authorized personnel for troubleshooting.

Never repair it by yourself.

Through improper repair work may arise risk for the user.

Elements of plug and connection shall be free from traction and torque.

## care instructions

Disconnect the device from the power supply grid before cleaning.

The care of the lamp is limited to the surfaces.

Make sure no liquid reach the connection area or electrical components.

**Important:**  
**Please don't use spiritus or alcohol containing products.**  
**As well as no abrasives or abrasive containing detergents.**

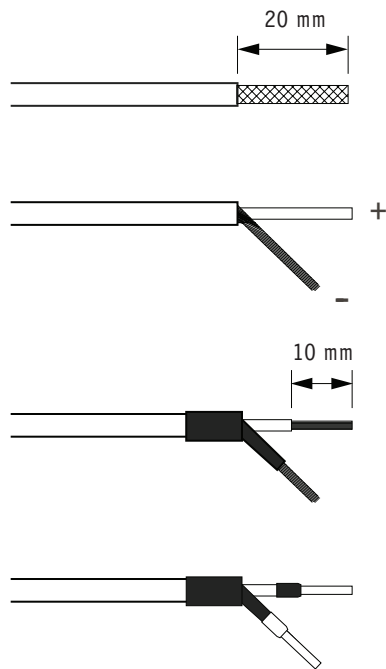
Only use a damp cloth to clean the lamp.

## special notes

Keep plastic bags and small components away from children to avoid risks of suffocation or swallowing!

**Do not look directly into the light source!**  
**(risk of glare or eye damage)**

Before you start mounting and connecting the luminaire, make sure that the supply cable is disconnected from the mains!  
Remove the fuse!



[A] Assembly of the luminaire cable

1. Define the suspension height of the luminaire. Cut the luminaire cable to length with an addition of approx. 10 cm.

2. Assemble the luminaire cables according to the drawing. [A]

Remove approximately 20 mm of the outer sheath. Please be careful! The coaxial braid must not be damaged.

Then twist the coaxial braid into a conductor (-).

Provide this with a piece of shrink tubing. Then a larger one over the place where the two conductors share.

Insulate both conductors by approx. 10 mm.

Finally squeeze the conductors with one ferrule each.

## Mounting on flush-mounted box

Pass the secondary line of the control gear through the opening (A).  
Connect the conductor (L) and neutral conductor (N) (marked on the luster terminal) of the control gear to the corresponding conductor of the ceiling outlet in the luster terminal in the flush-mounted box.

Fasten the canopy to the flush-mounted box using suitable screws.  
You can also fix the box to the ceiling if required. Use suitable screws for your ceiling.

Connect (+) and (-) of the secondary line of the control gear with (+) red and (-) black of the luminaire cable to the connection terminals.

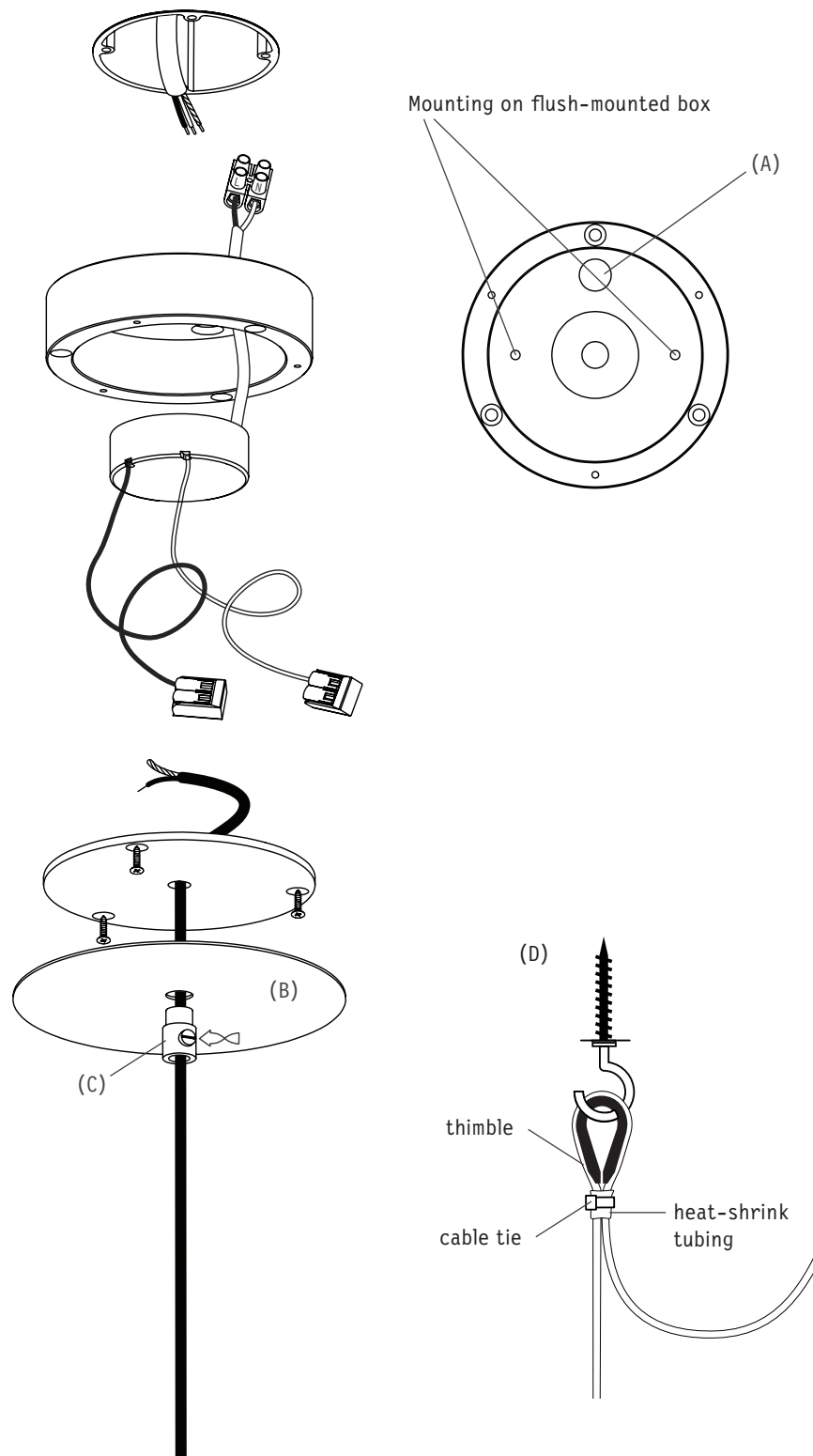
Close the canopy with the three screws provided.

Attach the cover plate (B) to the canopy by screwing in the cable securing device (C).

Secure the lamp cable against  
Slide out of the cable safety catch by screwing in the grub.

## Fastening with hook next to the canopy

(D) Attach the hook to the ceiling. Use a dowel suitable for your ceiling. Adjust the pendulum length and slide the transparent shrink tubing over the cable loop. Insert the thimble into the cable loop. Tighten the cable tie over the shrink tubing. Make sure it is tight and shorten the excess length of the cable tie.



## Mounting without flush-mounted box

Pass the ceiling outlet through the opening (A) in the canopy box. Fasten it with three screws suitable for your ceiling.

Connect the conductor (L) and neutral conductor (N) (marked on the luster terminal) of the control gear to the corresponding conductor of the ceiling outlet.

Connect (+) and (-) of the secondary line of the control gear with (+) red and (-) black of the luminaire cable to the connection terminals.

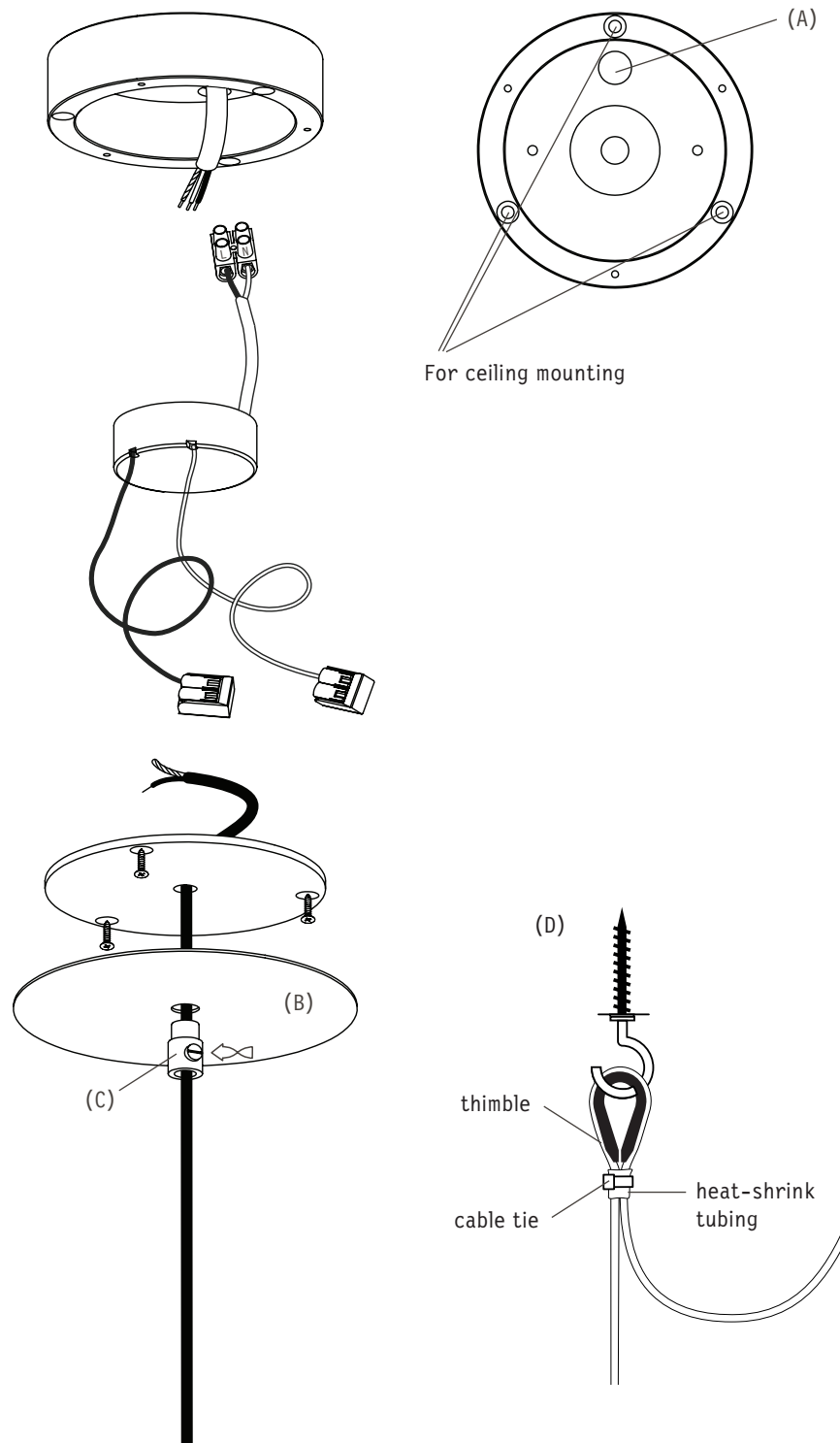
Close the canopy with the three screws provided.

Attach the cover plate (B) to the canopy by screwing in the cable securing device (C).

Secure the lamp cable against slipping out on the cable securing device by screwing in the grub.

## Fastening with hook next to the canopy

(D) Attach the hook to the ceiling. Use a dowel suitable for your ceiling. Adjust the pendulum length and slide the transparent shrink tubing over the cable loop. Insert the thimble into the cable loop. Tighten the cable tie over the shrink tubing. Make sure it is tight and shorten the excess length of the cable tie.



**Lichtlauf GmbH**

Sonnentaustraße 12  
80995 München

T +49(0)89.30905274-0  
F +49(0)89.30905274-9

[info@lichtlauf.de](mailto:info@lichtlauf.de)  
[www.lichtlauf.de](http://www.lichtlauf.de)